

A calibration system for low range GPT calibrations of high sensitivity NO_x and NO_y monitors.

National Air Monitoring Conference
Nashville, TN
November 2 - 5, 2009

Dirk Felton, Malcolm Baker: NYSDEC Bureau of Air Quality Surveillance
Kirk Lovewell, Mark Cogan: Teledyne API



NCore Gas Calibration Needs

- NCore gas monitoring requirements include Ozone and trace level CO, SO₂ and NO_y.
- The NCore Quality Assurance requirements include:
 - Multipoint calibrations – as needed to 6 months
 - Span and Precision checks – 24 hrs to 2 weeks
 - Converter Efficiency checks – 2 weeks to monthly
 - Low level detection tests - annually
- The NCore Technical Assistance Document (TAD) recommends automated audits and “on the fly” real-time level 1 data validation



NO_y Calibration Requirements

- NO_x&y analyzers are only able to detect NO. In order to know if the NO_x&y and NO₂ data are valid, it is vitally important to know if & how well the converter is working.
- The NCore TAD recommends that Multipoint calibrations be performed for both NO and NO₂ at the same concentrations.
- Dilution of NO₂ is possible from gas cylinders but is not recommended due to the long stabilization period for each point as well as the instability of certified cylinder concentrations.
- Gas Phase Titration (GPT) is preferable because it produces reliable NO₂ concentrations without long stabilization periods.



GPT NO₂ Calibrations

- GPT calibrators use Mercury vapor lamps to produce ozone which reacts with cylinder NO to produce NO₂.
- The lamps are unstable and inconsistent at the levels needed to produce ozone for low level GPT calibrations.
- Simply increasing the flow rate or decreasing the reaction volume limits the calibrator's dynamic range and may make the calibrator un-usable for higher level GPT calibrations.
- The limitations of the API Model 700E's ozone generator sets the lower limit of its NO₂ output to 50 ppb.



API 700EU vs API 700E



- Internal Photometer with GPT to < 3 ppb NO_2
- Support for 2 Pollutant Flow controllers
- Supports External Valve Driver (automates site)

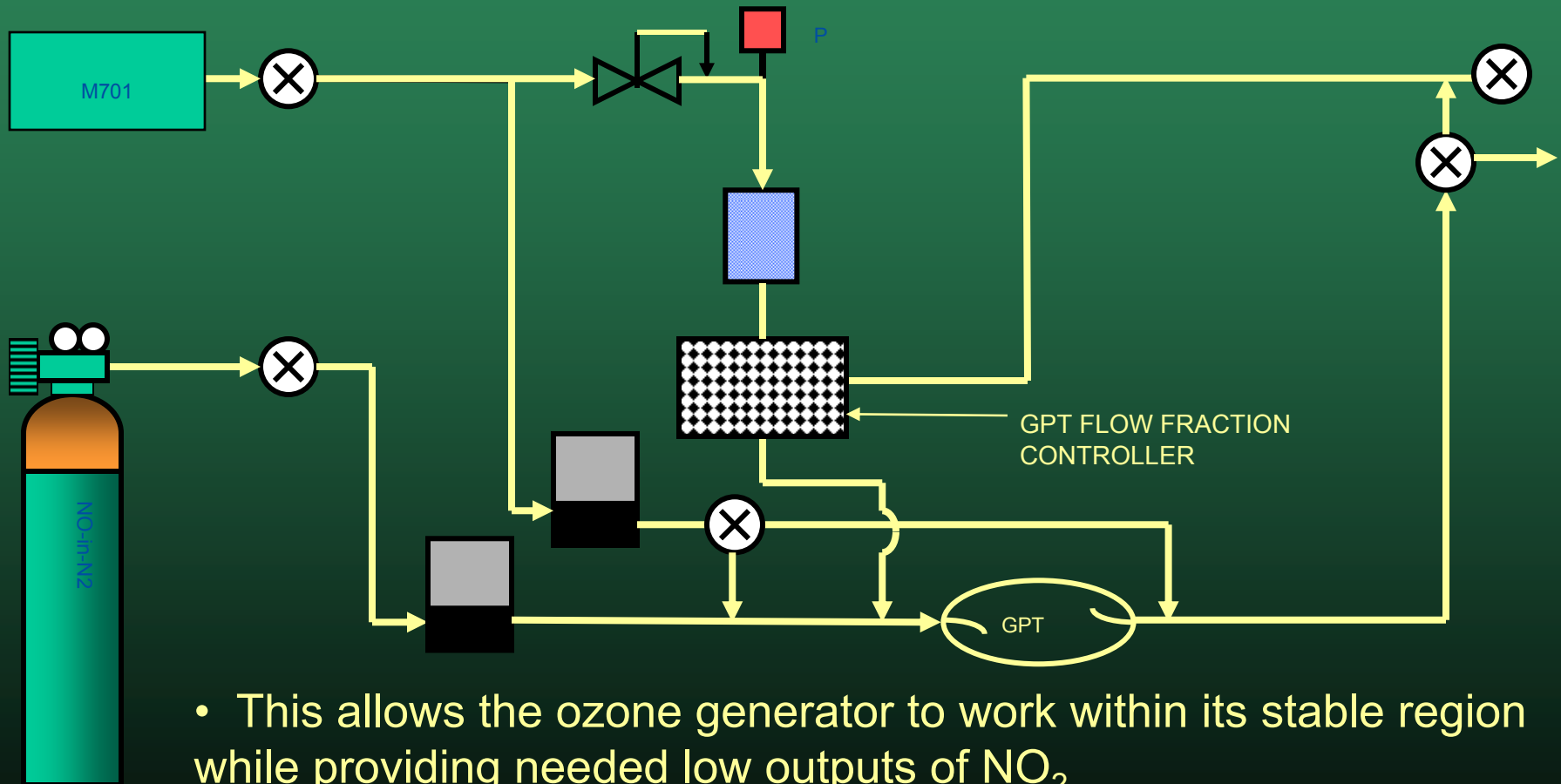


- Internal Photometer with GPT 30 - 50 ppb NO_2
- Support for 2 Pollutant Flow controllers
- Supports External Valve Driver (automates site)



The API Model 700EU

- A flow fraction controller is installed after the ozone generator to permit less than 100% of the generated ozone to react with NO



- This allows the ozone generator to work within its stable region while providing needed low outputs of NO₂.

Typical GPT steps

Name	Description	Values Obtained for Converter Efficiency Calculations (1)
GTPS	Optional step. Used to increase the accuracy of the O ₃ concentration during GPT generation mode.	
GPT	Produces NO ₂ test gas using GPT with the ozone generator ON. The O ₃ lamp drive value is used from the previous GTPS.	[NO]rem, [NOx]rem
GPTZ	Delivers NO gas only for determining baseline (“orig”) NO and NOx values. Ozone generator is OFF.	[NO]orig, [NOx]orig

(1) 40 CFR part 50 Appendix F, “Measurement Principle and Calibration Procedure for the Measurement of Nitrogen Dioxide in the Atmosphere (Gas Phase Chemiluminescence)”

GPTPS Step

- GPTPS stands for “GPT Pre-Set”
- Optional step. Used just prior to GPT step to increase O₃ accuracy.
- User sets target NO and O₃ value identical to GPT.
- M700EU generates ozone and flows zero air in place of NO gas (no titration takes place.)
- M700EU uses internal photometer to “dial-in” O₃ concentration requested.
- Once concentration has stabilized, O₃ generator drive value is stored for the requested O₃ concentration point.
- The stored O₃ generator drive value is then used during subsequent GPT step.



GPT Step

- O₃ and NO are mixed at the specified concentrations.
- O₃ value should be no more than 80% of the NO value to ensure complete reaction of O₃.
- $O_3 + NO \rightarrow NO_2 + O_2$
- Stoichiometric ratio is 1:1 between O₃ and NO₂.
- Resultant NO value is recorded as [NO]_{rem}, NO_x value as [NO_x]_{rem}

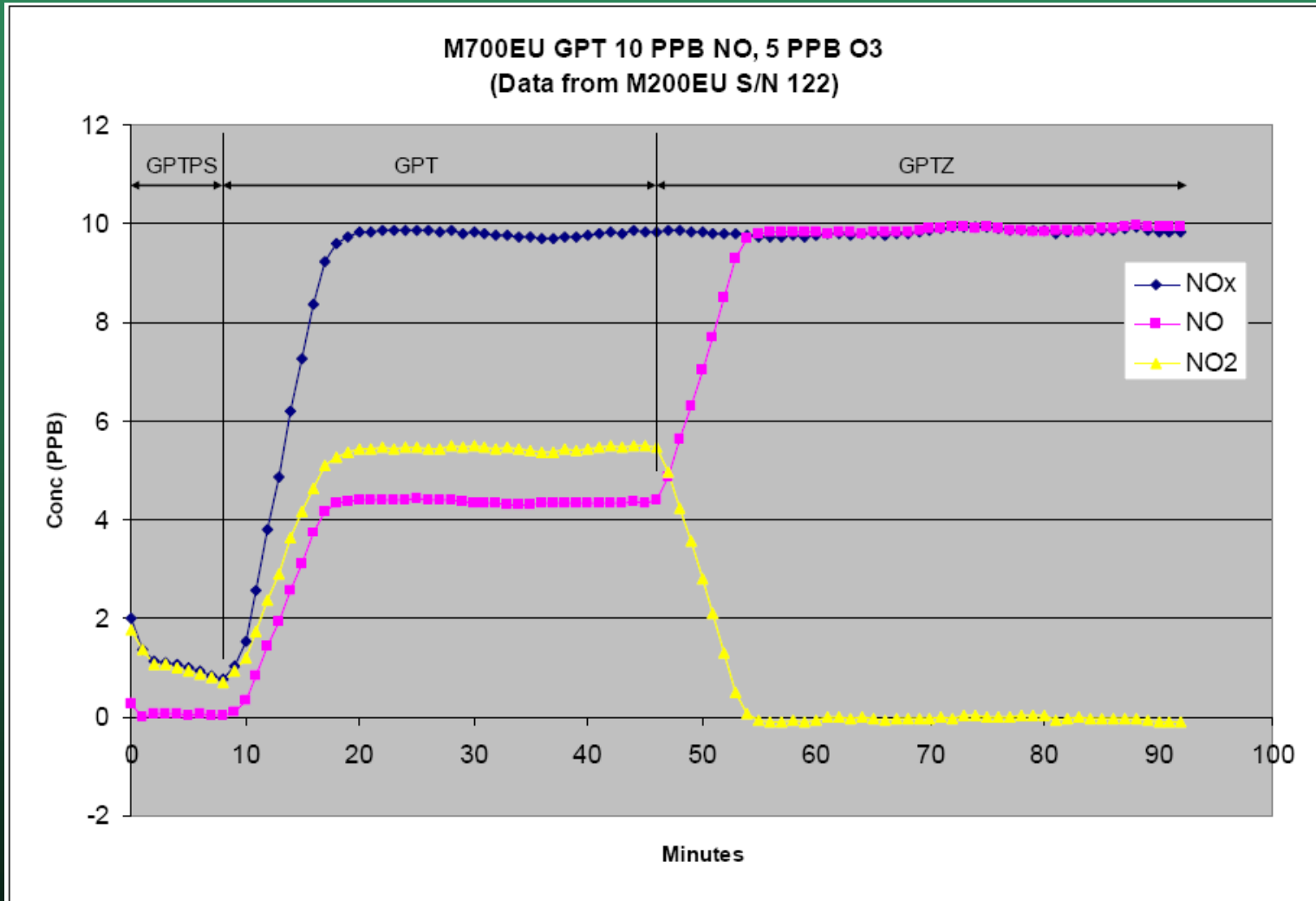


GPTZ Step

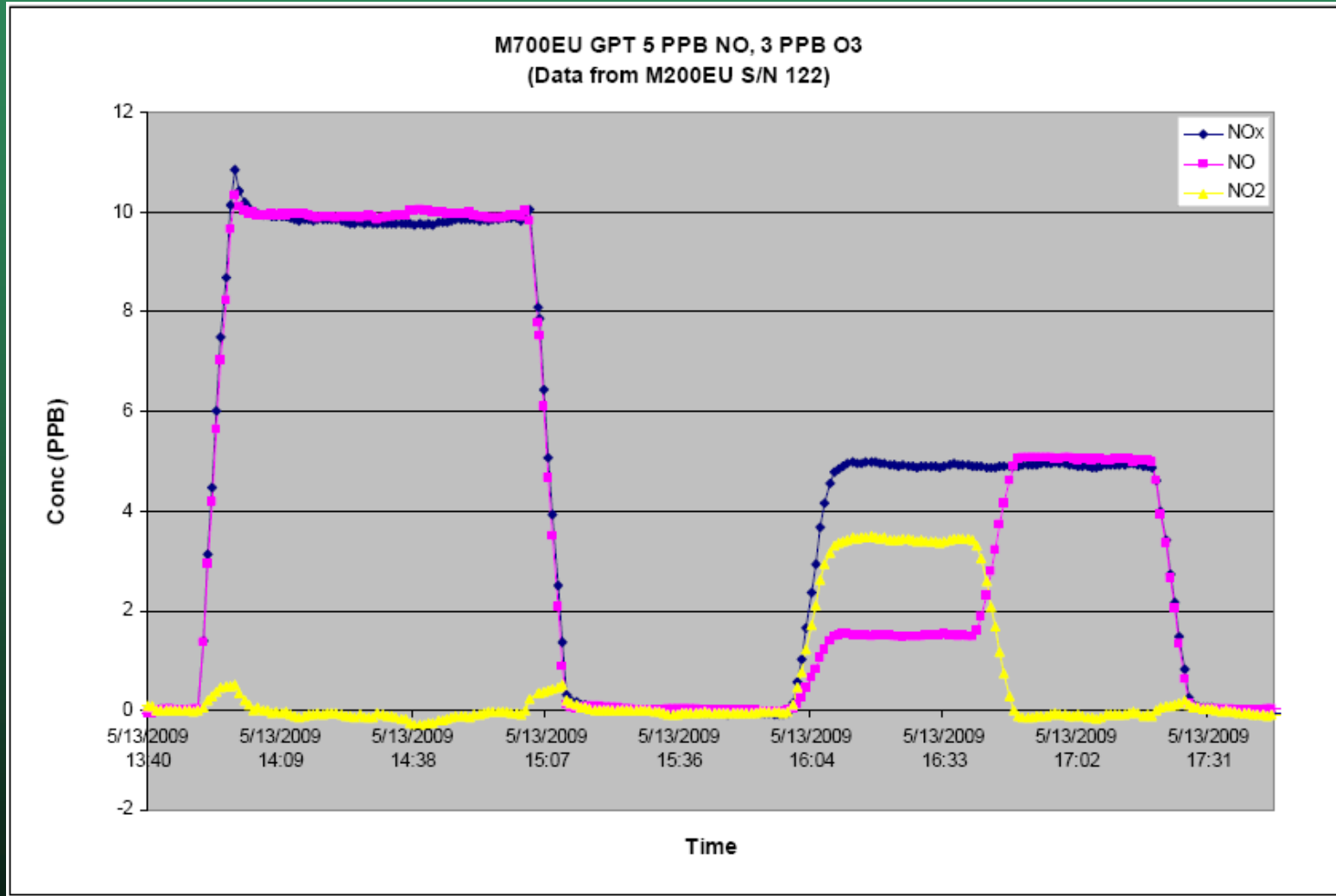
- Delivers NO gas only.
- Identical to GPT step except O₃ generator is OFF.
- Used for determining baseline (“orig”) NO and NO_x values.
- Resultant NO value is recorded as [NO]_{orig}, NO_x value as [NO_x]_{orig}



M700EU Performance



M700EU Performance



Conclusions

- NCore calibrators must be able to deliver NO₂ at the same concentrations as NO.
- External valve drivers and advanced data acquisition systems permit automated audit sequences and automatic level 1 validation.
- The support for 2 pollutant flow controllers provides accuracy at the low levels needed for calibration levels at NCore clean (rural) sites and for low level detection tests.
- Accurate GPT convertor efficiency tests may reduce the need for additional convertor checks with diluted NPN/IPN.



End of Presentation

Typical Gas Standards

- NYSDEC Primary NO Cylinder (NIST)

48.52 ± 0.32 ppm NO_x

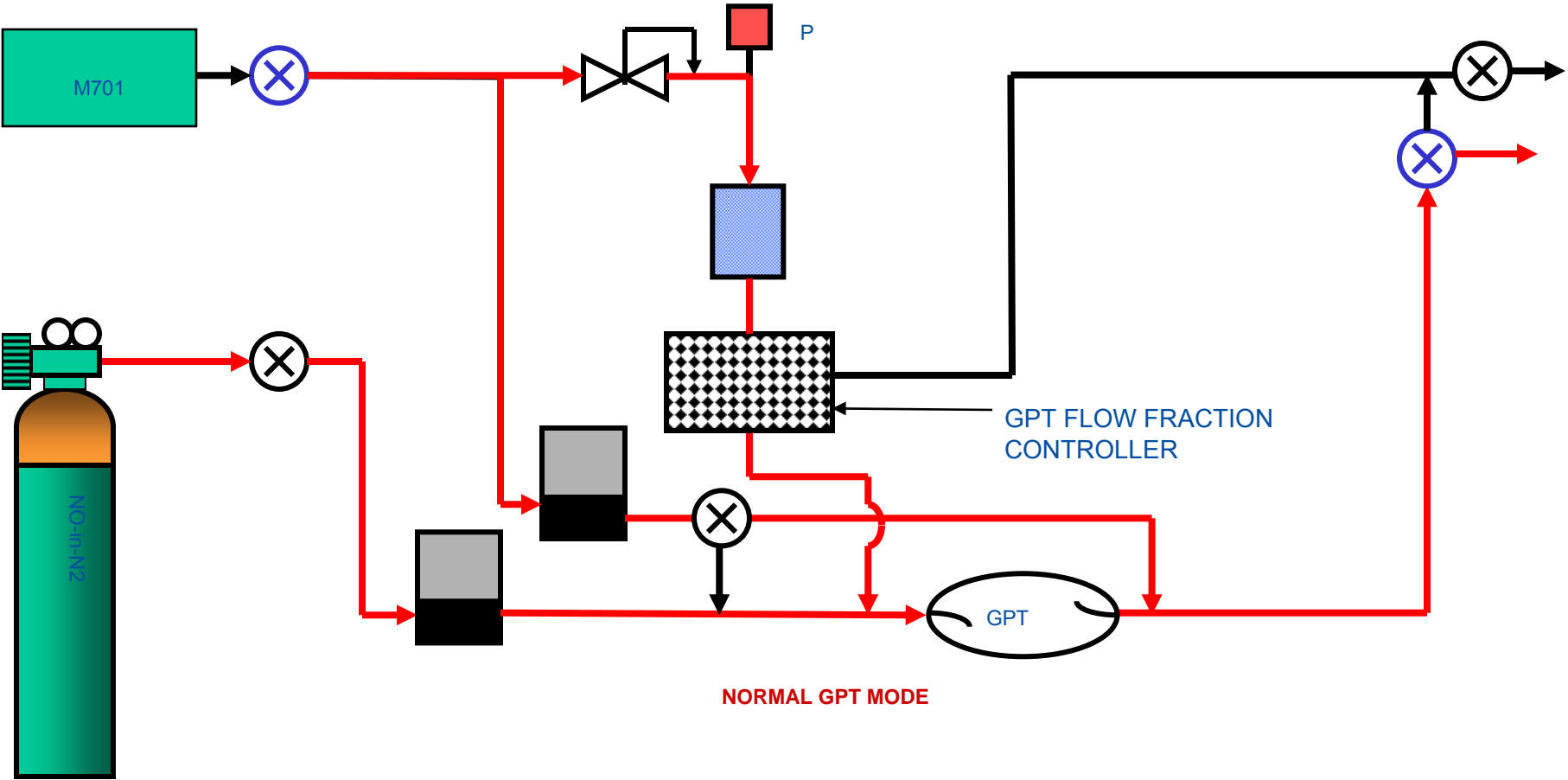
48.52 ± 0.32 ppm NO

Balance Nitrogen

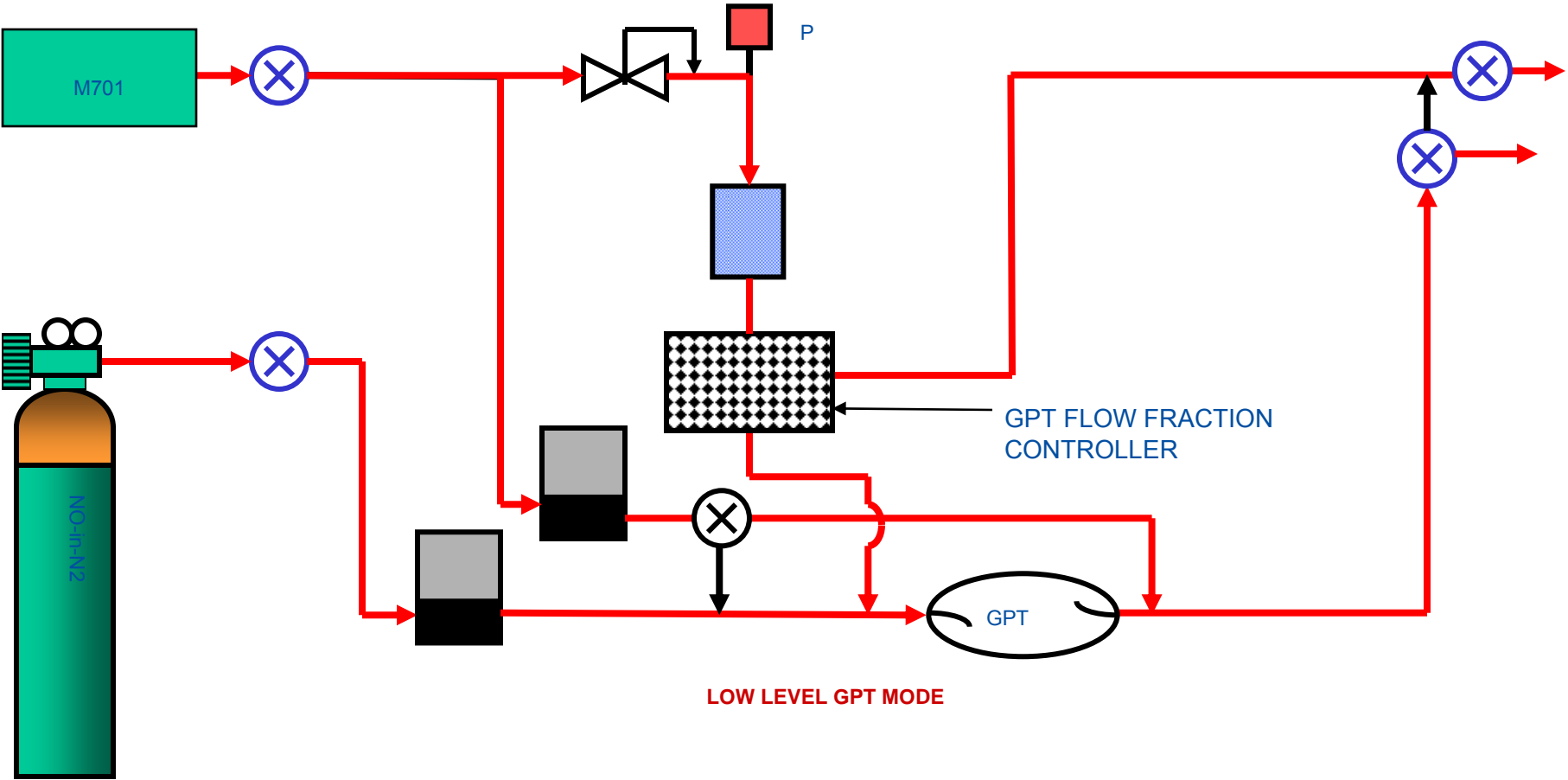
The specifications permit > 1% NO₂



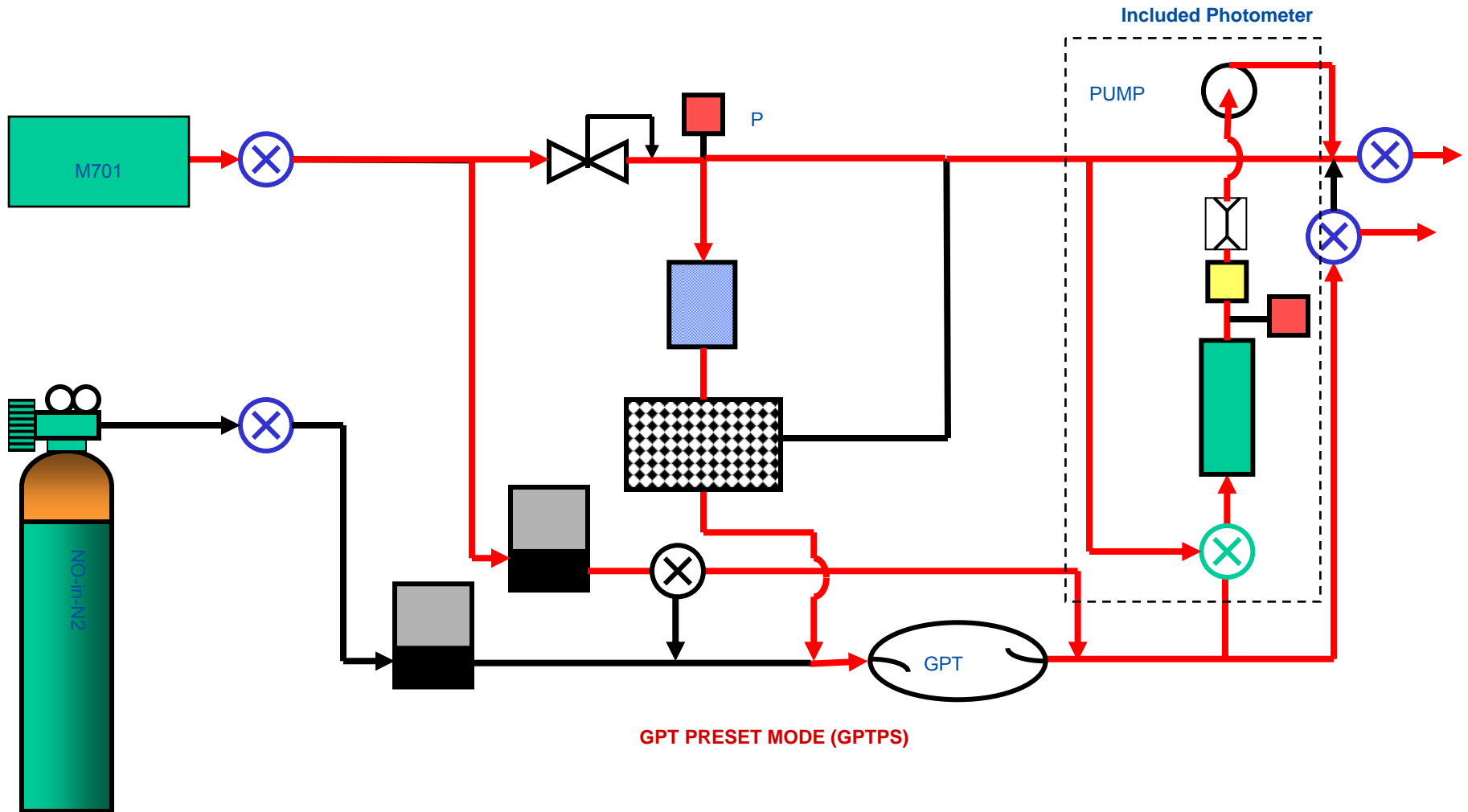
The Model 700EU GPT



The Model 700EU GPT

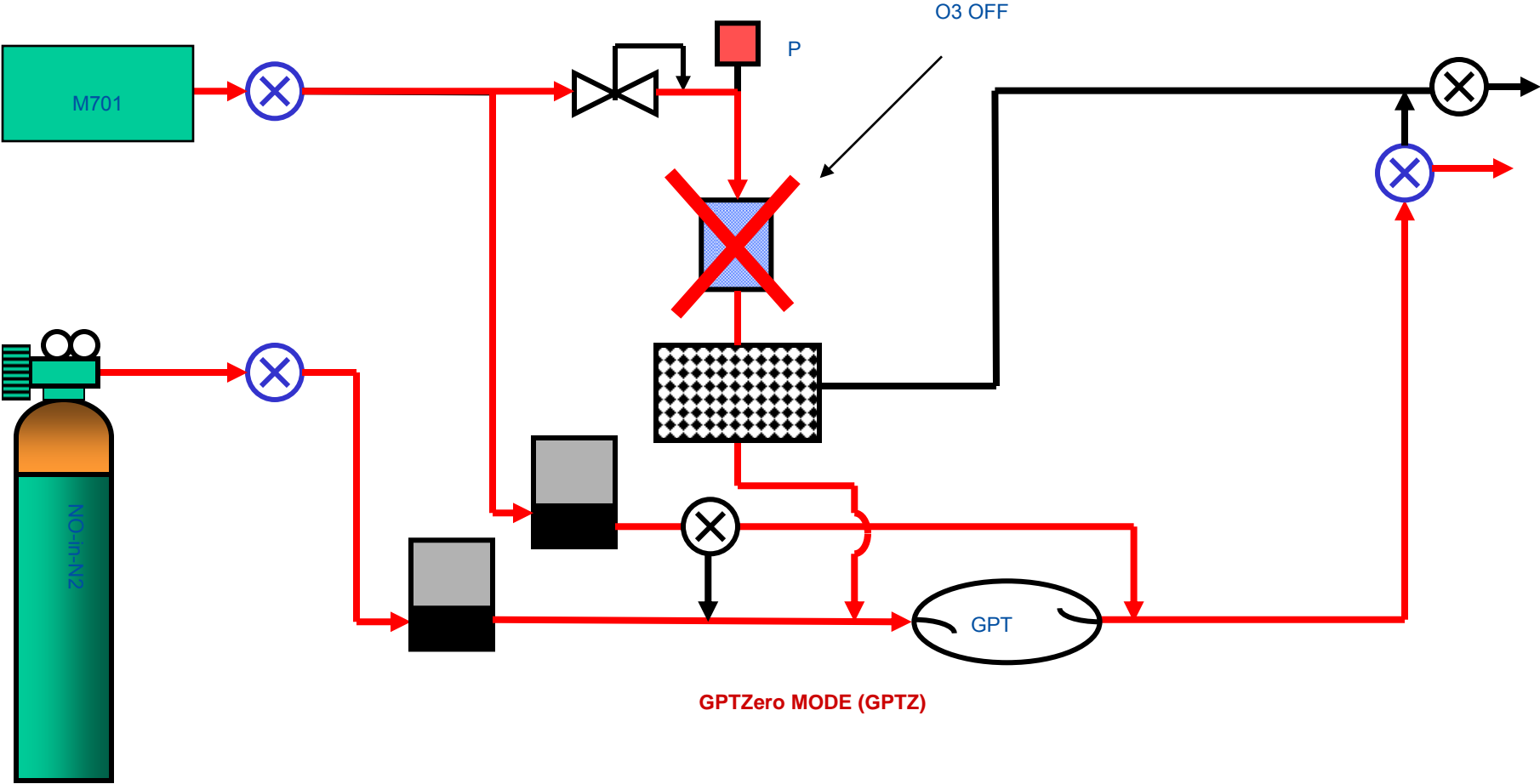


The Model 700EU GPT

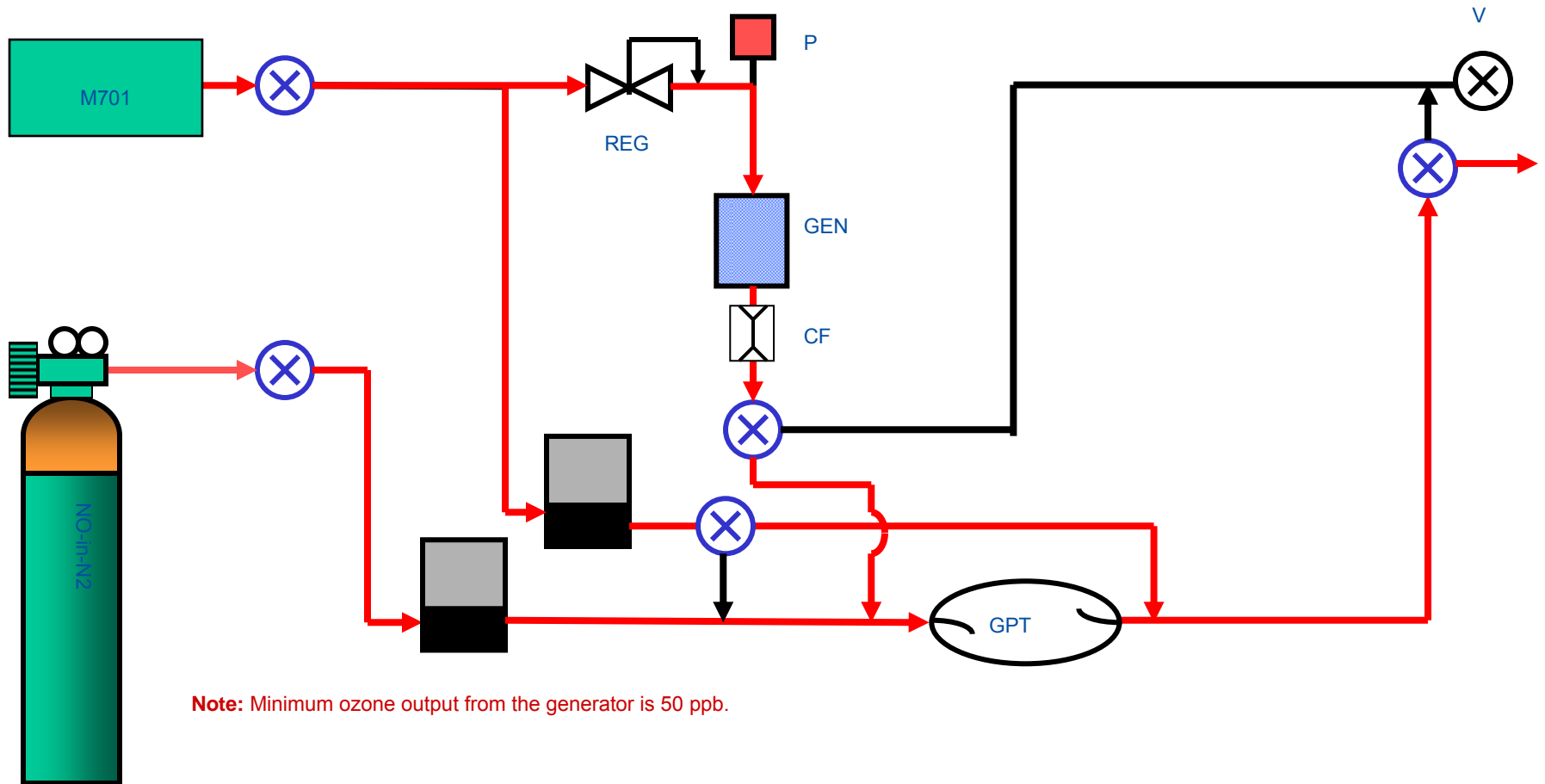


GPT PRESET MODE (GTPS)

The Model 700EU GPT



The Model 700E GPT Option



Note: Minimum ozone output from the generator is 50 ppb.

M700EU Performance

